

Source 1 Motors

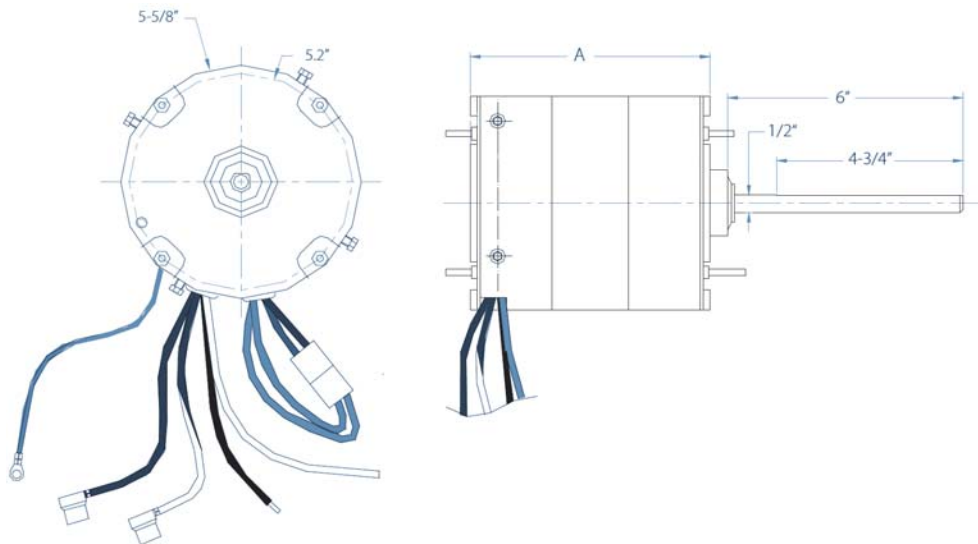
HIGH-AMBIENT CONDENSER FAN MOTORS



Features:

- High Temp 70°C ambient design
- Installs with all standard 48 frame mounting brackets
- Standard shaft length, diameter, and flats
- Drain holes with plugs in both end plates
- Automatic thermal overload protector
- Uses standard 370V capacitor
- Standard motor casing size
- Low power consumption
- Electrically reversible
- Continuous duty air over
- Class B insulation
- Quiet operation
- Extended studs
- 30" leads
- 60Hz

SOURCE 1 PART NO.	HP	VOLTS	RATED		SPEED	BEARINGS	370V CAPACITOR	DIM. A	WT. (LBS)	MLP \$
			FLA	LRA						
S1-FHM3469HT	1/3-1/6	208/230	2.0	825/2		BALL	S1-CAP37075F,S1-CAP37100F	5.25	14.5	
S1-FHM3728HT	1/4	208/230	1.7	3.80	1075/1	BALL	S1-CAP37050F,S1-CAP37050R	4.25	12	
S1-FHM3729HT	1/3	208/230	2.6	5.40	1075/1	BALL	S1-CAP37075F,S1-CAP37075R	4.52	12	
S1-FHM3730HT	1/2	208/230	3.0	7.80	1075/1	BALL	S1-CAP37100F,S1-CAP37100R	5.29	16.28	
S1-FHM3204HT	1/4	208/230	1.3	2.40	825/1	BALL	S1-CAP37075F,S1-CAP37075R	4.25	12	
S1-FHM3205HT	1/3	208/230	1.8	3.30	825/1	BALL	S1-CAP37100F,S1-CAP37100R	4.53	12	
S1-FHM3736HT	1/4	460	0.7	1.65	1075/1	BALL	S1-CAP37075F,S1-CAP37075R	4.25	12.1	
S1-FHM3737HT	1/3	460	1.2	2.85	1075/1	BALL	S1-CAP37075F,S1-CAP37075R	5.32	12.1	
S1-FHM3738HT	1/2	460	1.7	4.30	1075/1	BALL	S1-CAP37100F,S1-CAP37100R	5.75	16.28	
S1-FHM3739HT	3/4	460	2.03	5.30	1075/1	BALL	S1-CAP37100F,S1-CAP37100R	6.1	22	
S1-FHM3465HT	1/3-1/6	208/230	2.5	1075/2		BALL	S1-CAP37050F,S1-CAP37075F	5.0	13.6	



Cross Reference

SOURCE 1 PART NO.	AO SMITH *	AO SMITH HEAT MASTER	GE*	FASCO*	EMERSON*
S1-FHM3728HT	FSE1026S	FSE1026SF	3728	D909	1860
S1-FHM3729HT	FSE1036S	FSE1036SF	3729	D908	1861
S1-FHM3730HT	FSE1056S	FSE1056SF	3730	D907	1862
S1-FHM3204HT	FSE1028S	FE1028SF	3204	D743	1874
S1-FHM3205HT	FSE1038S	FE1038SF	3205	D796	1875
S1-FHM3736HT	FEH1026S	FEH1026SF	3736	D980	3736
S1-FHM3737HT	FEH1036S	FEH1036SF	3737	D982	3737
S1-FHM3738HT	FEH1056S	FEH1056SF	3738	D802	3738
S1-FHM3739HT	FEH1076	FEH1076SF	3739	D1914	3742
S1-FHM3465HT	FE6000	ORM5458BF	3465	D2827	5462
S1-FHM3469HT	FE6001	ORM5488BF	3469	D2826	5464

* Competitors' motors are only rated for 60°C ambient.

Source 1 Motors

SINGLE HORSEPOWER CONDENSER FAN MOTORS



Features:

- Installs with all standard 48 frame mounting brackets
- Standard shaft length, diameter, and flats
- Drain holes with plugs in both end plates
- Automatic thermal overload protector
- Uses standard 370V capacitors
- Standard motor casing size
- Low power consumption
- 60°C ambient design
- Electrical reversing plug
- Continuous air over
- Class B insulation
- Quiet operation
- Extended mounting bolts
- 30" leads
- Rotation reversible
- Single phase
- 2-year warranty!

Specifications:

Voltage: 208/230 VAC; 60 Hz

SOURCE 1 PART NO.	HP	RPM	SPEED	RATED			BEARING TYPE	RUN CAPACITOR	REPLACES	MLP \$
				AMPS	FLA	LRA				
S1-FHM3204	1/4	825	1	2.4	1.3		BALL	S1-CAP37075F,S1-CAP37075R	EMERSON:1874,AOS:FSE1028S,GE:3204	
S1-FHM3205	1/3	825	1	3.3	1.9		BALL	S1-CAP37100F,S1-CAP37100R	EMERSON:1875,AOS:FSE1038S,GE:3205	
S1-FHM3727	1/6	1075	1	1.2	1.0	1.5	BALL	S1-CAP37050F,S1-CAP37050R	EMERSON:1859,AOS:FSE1016S,GE:3727	
S1-FHM3728	1/4	1075	1	1.9	1.8	2.4	BALL	S1-CAP37050F,S1-CAP37050R	EMERSON:1860,AOS:FSE1026S,GE:3728	
S1-FHM3729	1/3	1075	1	3.2	2.4	4.0	BALL	S1-CAP37075F,S1-CAP37075R	EMERSON:1861,AOS:FSE1036S,GE:3729	
S1-FHM3730	1/2	1075	1	3.8	3.3	5.3	BALL	S1-CAP37100F,S1-CAP37100R	EMERSON:1862,AOS:FSE1056S,GE:3730	
S1-FHM3731	3/4	1075	1	4.6	4.7	5.9	BALL	S1-CAP37100F,S1-CAP37100R	EMERSON:1868,AOS:FSE1076S,GE:3731	

SINGLE HORSEPOWER BLOWER MOTORS



Features:

- Installs with all standard 48 frame mounting brackets
- Standard shaft length, diameter, and flats
- Automatic thermal overload protector
- Standard motor casing size
- 2.5" dia. hub rings included
- Low power consumption
- Continuous duty, air over
- Uses 370V capacitors
- Electrical reversing plug
- Class B insulation
- Quiet operation
- Rotation reversible
- Single phase
- 2-year warranty!

Specifications:

60 Hz

SOURCE 1 PART NO.	HP	RPM	SPEED	RATED			VOLTS	BEARING TYPE	RUN CAPACITOR	REPLACES	MLP \$
				AMPS	FLA	LRA					
S1-FHM3583	1/4	1075	3	4.2	10	6.3	115	BALL	S1-CAP37050F,S1-CAP37050R	EMERSON:1863,AOS:DL1026,GE:3583	
S1-FHM3584	1/4	1075	3	1.8	4.3	2.7	208/230	BALL	S1-CAP37050F,S1-CAP37050R	EMERSON:1971,AOS:D1026,GE:3584	
S1-FHM3586	1/3	1075	3	2.7	6.4	3.9	208/230	BALL	S1-CAP37050F,S1-CAP37050R	EMERSON:1972,AOS:D1036,GE:3586	
S1-FHM3587	1/2	1075	3	7.5	20	12.7	115	BALL	S1-CAP37100F,S1-CAP37100R	EMERSON:1865,AOS:DL1056,GE:3587	
S1-FHM3588	1/2	1075	3	3.2	10.6	6.8	208/230	BALL	S1-CAP37075F,S1-CAP37075R	EMERSON:1973,AOS:D1056,GE:3588	
S1-FHM3589	3/4	1075	3	10.5	22.7	13.7	115	BALL	S1-CAP37150F	EMERSON:8904,AOS:DL1076,GE:3589	
S1-FHM3590	3/4	1075	3	4.5	11.1	7.3	208/230	BALL	S1-CAP37100F,S1-CAP37100R	EMERSON:8905,AOS:D1076,GE:3590	
S1-FHM3595	1	1075	3	11.8	24.5	12.6	115	BALL	S1-CAP44200F,S1-CAP44200R	EMERSON:8906,AOS:BDL1106,GE:3595	
S1-FHM3596	1	1075	3	5.59	10.5	5.59	208/230	BALL	S1-CAP37150F	AOS:BD1106,GE:3596	
S1-FHM3585	1/3	1075	3	6.1	13.1	8.2	115	BALL	S1-CAP37050F,S1-CAP37050R	EMERSON:1864,AOS:DL1036,GE:3585	

Timesaver Multi-HP PSC Motors

BLOWER

SOURCE 1 PART NO.	VOLTAGE	HZ	RPM	MAX FLA	BEARINGS	LEADS	MLP \$
S1-FHM3463	115V	60	1075	5.6	BALL	36"	
S1-FHM3464	208/230V	60	1075	2.7	BALL	36"	
S1-FHM3466	115V	60	1075	8.3	BALL	36"	
S1-FHM3467	208/230V	60	1075	4.2	BALL	36"	

SOURCE 1 PART NO.	MAX HP	COOLING	HEATING	CAP (MFD)
S1-FHM3463	1/2	HI	MED-HI; MED-LO	10
	1/3			5 OR 7.5
	1/4	MED-HI	MED-HI; LO	
	1/5	MED-LO	LO	
	1/6	LO	LO	
S1-FHM3464	1/2	ALL SPEEDS	MED-LO	10
	1/3			5 OR 7.5
	1/4	MED-HI; MED-LO; LO	LO	
	1/5	MED-LO; LO		
	1/6	LO		
S1-FHM3466	3/4	ALL SPEEDS	MED-LO	20
	1/2			10
	1/3	MED-HI; MED-LO; LO	LO	
	1/4	MED-LO; LO		
	1/5	LO		
S1-FHM3467	3/4	ALL SPEEDS	MED-LO	20
	1/2			10
	1/3	MED-HI; MED-LO; LO	LO	
	1/4	MED-LO; LO		
	1/5	LO		

CONDENSER

SOURCE 1 PART NO.	VOLTAGE	HZ	RPM	MAX FLA	BEARINGS	LEADS	MLP \$
S1-FHM3465	208/230V	60	1075	2.6	BALL	36"	
S1-FHM3469	208/230V	60	825	2.2	BALL	36"	
S1-FHM3468	208/230V	60	1075	3.6	BALL	36"	

SOURCE 1 PART NO.	MAX HP	SPEED TAP	CAP AT 208V LINE (MFD)	CAP AT 230V LINE (MFD)
S1-FHM3465	1/3	HI	7.5	5
	1/4			
	1/5	LO		
	1/6			
S1-FHM3469	1/3	HI	10	7.5
	1/4			
	1/5	LO		
	1/6			
S1-FHM3468	1/2	HI	12.5	10
	1/3			
	1/4	LO		
	1/5			

Timesaver Multi-HP PSC Motors

CAPACITOR SELECTION GUIDE FOR S1-FHM SERIES MULTI-HORSEPOWER MOTORS

MOTOR MODELS	HP	SPEED	CAPACITORS	MOTOR MODELS	HP	SPEED	VOLTAGE	CAPACITORS				
S1-FHM3463 & S1-FHM3464	1/2	ALL	S1-CAP37100F	S1-FHM3465W	1/3	HI	208	S1-CAP37075F				
			S1-CAP37100R					S1-CAP37075R				
	1/3	ALL	S1-CAP37050F				230	S1-CAP37050F				
			S1-CAP37050R					S1-CAP37050R				
			1/4				MED-HI, MED-LO, LO	S1-CAP37075F	208	S1-CAP37075F		
								S1-CAP37075R		S1-CAP37075R		
	1/4	MED-HI, MED-LO, LO	S1-CAP37050F		230	S1-CAP37050F						
			S1-CAP37050R			S1-CAP37050R						
			1/5		MED-LO, LO	S1-CAP37075F	208	S1-CAP37075F				
						S1-CAP37075R		S1-CAP37075R				
	1/5	MED-LO, LO	S1-CAP37050F		230	S1-CAP37050F						
			S1-CAP37050R			S1-CAP37050R						
			1/6		LO	S1-CAP37075F	208	S1-CAP37075F				
						S1-CAP37075R		S1-CAP37075R				
	S1-FHM3466 & S1-FHM3467	3/4	ALL		S1-CAP37200F	S1-FHM3468	1/2	HI	208	S1-CAP37075F		
					S1-CAP37100R					S1-CAP37100R		
		1/2	ALL		S1-CAP37100F				230	S1-CAP37100F		
					S1-CAP37100R					S1-CAP37100R		
					1/3				MED-HI, MED-LO, LO	S1-CAP37100F	208	S1-CAP37125F
										S1-CAP37100R		S1-CAP37125R
		1/3	MED-HI, MED-LO, LO		S1-CAP37100F		230	S1-CAP37100F				
					S1-CAP37100R			S1-CAP37100R				
					1/4		MED-LO, LO	S1-CAP37100F	208	S1-CAP37125F		
								S1-CAP37100R		S1-CAP37125R		
1/4		MED-LO, LO	S1-CAP37100F	230	S1-CAP37100F							
			S1-CAP37100R		S1-CAP37100R							
			1/5	LO	S1-CAP37100F		208	S1-CAP37100F				
					S1-CAP37100R			S1-CAP37100R				
S1-FHM3469		1/3	HI	S1-CAP37100F	S1-FHM3469		1/3	HI	208	S1-CAP37100R		
				S1-CAP37100R						S1-CAP37100R		
		1/3	HI	S1-CAP37075F					230	S1-CAP37075F		
				S1-CAP37075R						S1-CAP37075R		
				1/4					MED-HI, MED-LO, LO	S1-CAP37100F	208	S1-CAP37100F
										S1-CAP37100R		S1-CAP37100R
		1/4	MED-HI, MED-LO, LO	S1-CAP37075F			230	S1-CAP37075F				
				S1-CAP37075R				S1-CAP37075R				
				1/5			MED-LO, LO	S1-CAP37100F	208	S1-CAP37100F		
								S1-CAP37100R		S1-CAP37100R		
	1/5	MED-LO, LO	S1-CAP37075F	230		S1-CAP37075F						
			S1-CAP37075R			S1-CAP37075R						
			1/6	LO		S1-CAP37100F	208	S1-CAP37100F				
						S1-CAP37100R		S1-CAP37100R				
	1/6	LO	S1-CAP37075F	230		S1-CAP37075F						
			S1-CAP37075R			S1-CAP37075R						

Timesaver Multi-HP PSC Motors

DIRECT DRIVE BLOWER MOTORS

S1-FHM3463



Features:

- Reversible rotation
- Ambient: 40°C
- Open enclosure

- 2" x 4.5" shaft (flatted)
- Resilient rings
- Extended thru bolts
- Automatic protector

This Time Saver motor replaces all motors in the cross reference table below.

SOURCE 1 PART NO.	VOLTAGE	RPM	MAX FLA	BEARINGS	LEADS	MLP \$
S1-FHM3463	115	1075	5.6	BALL	36"	

SOURCE 1 PART NO.	MAX HP	COOLING	HEATING	CAP (MFD)
S1-FHM3463	1/2	HI	MED-LO	10
	1/3	HI	MED-LO	5
	1/4	MED-HI	LO	5
	1/5	MED-LO	LO	5
	1/6	LO	LO	5

CROSS REFERENCE FOR TIME SAVER™ S1-FHM3463 - BLOWER, DIRECT DRIVE, 1/6-1/2 HP, 115V

SOURCE 1 PART NO.	APP	DRIVE	HP	RPM	SPEED	ROTA-TION	VOLTS	PHASE	HZ	FRAME	BEARING	ENCLOSURE	ORIENT
S1-14680425P	BLOWER	DIRECT	1/6	860	2	CCWEOS	115	1	60	48	BALL	OPEN	VSUDH
S1-2632E3129	BLOWER	DIRECT	1/6	950	MULTI	CWLE	115				BALL		
S1-2632E3129	BLOWER	DIRECT	1/6	1050	MULTI	CWLE	115				BALL		
S1-7966-311P	BLOWER	DIRECT	1/6	900	1	CCWEOS	115	1	60	42	BALL	OPEN	HORIZONTAL
S1-02423209701	BLOWER	DIRECT	1/5	1075	3	CCWEOS	115	1	60	48	BALL	OPEN	HORIZONTAL
S1-02423220000	BLOWER	DIRECT	1/5	1075	3	CCWEOS	115	1	60	48	BALL	ODP	HORIZONTAL
S1-02423220700	BLOWER	DIRECT	1/5	1075	3	CCWEOS	115	1	60	48	BALL	ODP	HORIZONTAL
S1-02423239000	BLOWER	DIRECT	1/5	1075	3	CCWEOS	115	1	60	48	BALL	ODP	HORIZONTAL
S1-02423239700	BLOWER	DIRECT	1/5	1075	3	CCWEOS	115	1	60	48	BALL	ODP	HORIZONTAL
S1-02425101701	BLOWER	DIRECT	1/5	1075	3	CCWEOS	115	1	60	48	BALL	ODP	HORIZONTAL
S1-02425107701	BLOWER	DIRECT	1/5	1075	3	CCWEOS	115	1	60	48	BALL	ODP	HORIZONTAL
S1-02425879700	BLOWER	DIRECT	1/5	1000	3	CCWEOS	115	1	60	48	BALL	ODP	HORIZONTAL
S1-02425879701	BLOWER	DIRECT	1/5	1000	2	CCWEOS	115	1	60	48	BALL	ODP	HORIZONTAL
S1-02630511000	BLOWER	DIRECT	1/5	1000	2	CCW	115	1	60	42	BALL	ODP	HORIZONTAL
S1-2621A3129	BLOWER	DIRECT	1/5	950	MULTI	CWLE	115				BALL		
S1-2621A3129	BLOWER	DIRECT	1/5	1050	MULTI	CWLE	115				BALL		
S1-52430226000	BLOWER	DIRECT	1/5	1075	VARIABLE	REV	115	1	60	48	BALL	OPEN	
S1-8638-4129	BLOWER	DIRECT	1/5	1050		CCW	115				BALL		
S1-02417903703	BLOWER	DIRECT	1/4	1050	3	CCWEOS	115	1	60	42	BALL	OPEN	HORIZONTAL
S1-02420244701	BLOWER	DIRECT	1/4	1075	3	CWEOS	115	1	60	48	BALL	OPEN	HORIZONTAL
S1-02421620700	BLOWER	DIRECT	1/4	1050	2	CCWEOS	115	1	60	48	BALL	OPEN	VSUDH
S1-02421767700	BLOWER	DIRECT	1/4	900	3	CCWEOS	115	1	60	42	BALL	OPEN	HORIZONTAL
S1-02423219000	BLOWER	DIRECT	1/4	1075	3	CCWEOS	115	1	60	48	BALL	ODP	HORIZONTAL
S1-02423219700	BLOWER	DIRECT	1/4	1075	3	CCWEOS	115	1	60	48	BALL	ODP	HORIZONTAL
S1-02424150700	BLOWER	DIRECT	1/4	1075	3	REV	115	1	60	48	BALL	OPEN	HORIZONTAL
S1-02425010000	BLOWER	DIRECT	1/4	1075	3	CCWEOS	115	1	60	48	BALL	ODP	HORIZONTAL
S1-02425010700	BLOWER	DIRECT	1/4	1075	3	CCWEOS	115	1	60	48	BALL	ODP	HORIZONTAL
S1-02425105702	BLOWER	DIRECT	1/4	1075	3	CCWEOS	115	1	60	48	BALL	ODP	HORIZONTAL
S1-02425108701	BLOWER	DIRECT	1/4	1075	3	CCWEOS	115	1	60	48	BALL	ODP	HORIZONTAL
S1-02425108702	BLOWER	DIRECT	1/4	1075	3	CCWEOS	115	1	60	48	BALL	ODP	HORIZONTAL
S1-02425108703	BLOWER	DIRECT	1/4	1075	3	CCWEOS	115	1	60	48	BALL	ODP	HORIZONTAL
S1-02425109701	BLOWER	DIRECT	1/4	1075	3	CCWEOS	115	1	60	48	BALL	ODP	HORIZONTAL
S1-02425109702	BLOWER	DIRECT	1/4	1075	3	CCWEOS	115	1	60	48	BALL	ODP	HORIZONTAL
S1-02425942700	BLOWER	DIRECT	1/4	1050	3	CCWEOS	115	1	60		BALL	OPEN	HORIZONTAL
S1-1468-212P	BLOWER	DIRECT	1/4	1075	1	CCWEOS	115	1	60	48	BALL	OPEN	HORIZONTAL
S1-52432026-000	BLOWER	DIRECT	1/4	1075	VARIABLE	REV	115	1	60	42	BALL	OPEN	HORIZONTAL
S1-02417793000	BLOWER	DIRECT	1/3	1075	3	CCWEOS	115	1	60	48	BALL	ODP	
S1-02417793700	BLOWER	DIRECT	1/3	1075	3	CCWEOS	115	1	60	48	BALL	ODP	HORIZONTAL
S1-02423218000	BLOWER	DIRECT	1/3	1075	3	CCWEOS	115	1	60	48	BALL	ODP	HORIZONTAL
S1-02423218700	BLOWER	DIRECT	1/3	1075	3	CCWEOS	115	1	60	48	BALL	ODP	HORIZONTAL
S1-02423240000	BLOWER	DIRECT	1/3	1075	3	CCWEOS	115	1	60	48	BALL	ODP	HORIZONTAL
S1-02423240700	BLOWER	DIRECT	1/3	1075	3	CCWEOS	115	1	60	48	BALL	ODP	HORIZONTAL
S1-02423241000	BLOWER	DIRECT	1/3	1075	3	CCWEOS	115	1	60	48	BALL	ODP	HORIZONTAL
S1-02423241700	BLOWER	DIRECT	1/3	1075	3	CCWEOS	115	1	60	48	BALL	ODP	HORIZONTAL
S1-02424152700	BLOWER	DIRECT	1/3	1075	3	REV	115	1	60	48	BALL	OPEN	HORIZONTAL
S1-02425103702	BLOWER	DIRECT	1/3	1075	3	CCWEOS	115	1	60	48	BALL	ODP	HORIZONTAL
S1-02425112700	BLOWER	DIRECT	1/3	1075	3	CCWEOS	115	1	60	48	BALL	OPEN	HORIZONTAL
S1-02425114700	BLOWER	DIRECT	1/3	1075	3	CCWEOS	115	1	60	48	BALL	ODP	HORIZONTAL
S1-02431969000	BLOWER	DIRECT	1/3			CCWEOS	115				BALL		
S1-52432026000	BLOWER	DIRECT	1/3	1075	VARIABLE	REV	115	1	60	48	BALL	OPEN	
S1-8631A3239	BLOWER	DIRECT	1/3	1075		CW	115				BALL		

Timesaver Multi-HP PSC Motors

DIRECT DRIVE BLOWER MOTORS

S1-FHM3464



Features:

- Reversible rotation
- Ambient: 40°C
- Open enclosure

- 1/2" x 4.5" shaft (flatted)
- Resilient rings
- Extended thru bolts
- Automatic protector

This Time Saver motor replaces all motors in the cross reference table below.

SOURCE 1 PART NO.	VOLTAGE	RPM	MAX FLA	BEARINGS	LEADS	MLP \$
S1-FHM3464	208/230	1075	2.7	BALL	36"	

SOURCE 1 PART NO.	MAX HP	COOLING	HEATING	CAP (MFD)
S1-FHM3464	1/2	HI	MED-LO	10
	1/3	HI	MED-LO	5
	1/4	MED-HI	LO	5
	1/5	MED-LO	LO	5
	1/6	LO	LO	5

CROSS REFERENCE FOR TIME SAVER™ S1-FHM3464 - BLOWER, DIRECT DRIVE, 1/6-1/2 HP, 208-230V

SOURCE 1 PART NO.	APP	DRIVE	HP	RPM	SPEED	ROTATION	VOLTS	PHASE	HZ	FRAME	BEARING	ENCLOSURE	ORIENT
S1-02421634000	BLOWER	DIRECT	1/6	925	1		208-230	1	60		BALL		
S1-02421634700	BLOWER	DIRECT	1/6	925	1		208-230	1	60		BALL		
S1-02421638000	BLOWER	DIRECT	1/6	1050	1	CWEOS	208-230	1	60	42	BALL	TEAO	VSUD
S1-02421638700	BLOWER	DIRECT	1/6	1050	1	CWEOS	208-230	1	60	42	BALL	TEAO	VSUD
S1-02412736700	BLOWER	DIRECT	1/5	1075	3	CCWEOS	208-230	1	60	48	BALL	OPEN	HORIZONTAL
S1-02416695700	BLOWER	DIRECT	1/5	1050	2	CWEOS	208-230	1	60	48	BALL	OPEN	VSUDH
S1-02419150700	BLOWER	DIRECT	1/5	1075	3	CWEOS	208-230	1	60	48	BALL	OPEN	HORIZONTAL
S1-02423223700	BLOWER	DIRECT	1/5	1075	4	CWEOS	208-230	1	60	42	BALL	OPEN	VSUDH
S1-02424773000	BLOWER	DIRECT	1/5	1075	3	CCWEOS	208-230	1	60	48	BALL	ODP	HORIZONTAL
S1-02424773700	BLOWER	DIRECT	1/5	1075	3	CCWEOS	208-230	1	60	48	BALL	ODP	HORIZONTAL
S1-52432025000	BLOWER	DIRECT	1/5	1075	VARIABLE	REV	208-230	1	60	48	BALL	OPEN	
S1-02421522000	BLOWER	DIRECT	1/4	1075	3	CCWEOS	208-230	1	60	48	BALL	OPEN	HORIZONTAL
S1-02421526700	BLOWER	DIRECT	1/4	1075	1	CWEOS	208-230	1	60	48	BALL	OPEN	HORIZONTAL
S1-02424151700	BLOWER	DIRECT	1/4	1075	3	REV	208-230	1	60	48	BALL	OPEN	HORIZONTAL
S1-02425982000	BLOWER	DIRECT	1/4	1075	3	CCWEOS	208-230	1	60	48	BALL	OPEN	HORIZONTAL
S1-02427866000	BLOWER	DIRECT	1/4	1075	3	CCWLE	208-230	1	60	48	BALL	SE	
S1-52432025000	BLOWER	DIRECT	1/4	1075	VARIABLE	REV	208-230	1	60	48	BALL	OPEN	
S1-02415643001	BLOWER	DIRECT	1/3	1075	3	CCW	208-230	1	60	48	BALL	OPEN	
S1-02416461700	BLOWER	DIRECT	1/3	825	1	CWEOS	208-230	1	60	48	BALL	OPEN	VSUD
S1-02420357000	BLOWER	DIRECT	1/3	1075	3	CCWEOS	208-230	1	60	48	BALL	OPEN	HORIZONTAL
S1-02421639000	BLOWER	DIRECT	1/3	895	1	CCWEOS	208-230	1	60	48	BALL	ODP	VSD
S1-02421639700	BLOWER	DIRECT	1/3	895	1	CCWEOS	208-230	1	60	48	BALL		VSUD
S1-02424153700	BLOWER	DIRECT	1/3	1075	3	REV	208-230	1	60	48	BALL	OPEN	HORIZONTAL
S1-02424504700	BLOWER	DIRECT	1/3	1075	3	CWEOS	208-230	1	60	48	BALL	OPEN	HORIZONTAL
S1-02424504700	BLOWER	DIRECT	1/3	1075	3	CWEOS	208-230	1	60	48	BALL	OPEN	HORIZONTAL
S1-02424772000	BLOWER	DIRECT	1/3	1075	3	CCWEOS	208-230	1	60	48	BALL	ODP	HORIZONTAL
S1-02424772700	BLOWER	DIRECT	1/3	1075	3	CCWEOS	208-230	1	60	48	BALL	ODP	HORIZONTAL
S1-02425106701	BLOWER	DIRECT	1/3	1075	3	CWEOS	208-230	1	60	48	BALL	OPEN	HORIZONTAL
S1-02425237000	BLOWER	DIRECT	1/3	1075	3	CWEOS	208-230	1	60	48	BALL	ODP	HORIZONTAL
S1-02425237700	BLOWER	DIRECT	1/3	1075	3	CWEOS	208-230	1	60	48	BALL	ODP	HORIZONTAL
S1-02425374700	BLOWER	DIRECT	1/3	1075	3	CWEOS	208-230	1	60	48	BALL		
S1-02425823700	BLOWER	DIRECT	1/3	925	3	CWEOS	208-230	1	60	48	BALL	OPEN	HORIZONTAL
S1-02425952001	BLOWER	DIRECT	1/3	900	3	CCWEOS	208-230	1	60	48	BALL	OPEN	VSD
S1-02425983000	BLOWER	DIRECT	1/3	1075	3	CCWEOS	208-230	1	60	48	BALL	OPEN	VSD
S1-02426086000	BLOWER	DIRECT	1/3	1075	3	CCWEOS	208-230	1	60	48	BALL	OPEN	VSD
S1-02427607000	BLOWER	DIRECT	1/3	925	4	CCWEOS	208-230	1	60	48	BALL	OPEN	HORIZONTAL
S1-02427868000	BLOWER	DIRECT	1/3	1075	3	CCWLE	208-230	1	60	48	BALL	SE	
S1-52432025000	BLOWER	DIRECT	1/3	1075	VARIABLE	REV	208-230	1	60	48	BALL	OPEN	

Timesaver Multi-HP PSC Motors

DIRECT DRIVE BLOWER MOTORS

S1-FHM3466



Features:

- Reversible rotation
- Ambient: 40°C
- Open enclosure
- 1/2" x 4.5" shaft (flatted)
- Resilient rings
- Extended thru bolts
- Automatic protector

This Time Saver motor replaces all motors in the cross reference table below.

SOURCE 1 PART NO.	VOLTAGE	RPM	MAX FLA	BEARINGS	LEADS	MLP \$
S1-FHM3466	115	1075	8.3	BALL	36"	

SOURCE 1 PART NO.	MAX HP	COOLING	HEATING	CAP (MFD)
S1-FHM3466	3/4	HI	MED-LO	20
	1/2	HI	LO	10
	1/3	MED-HI	LO	10
	1/4	MED-LO	LO	10
	1/5	LO	LO	10

CROSS REFERENCE FOR TIME SAVER™ S1-FHM3466 - BLOWER, DIRECT DRIVE, 1/6-1/2 HP, 115V

SOURCE 1 PART NO.	APP	DRIVE	HP	RPM	SPEED	ROTATION	VOLTS	PHASE	HZ	FRAME	BEARING	ENCLOSURE	ORIENT
S1-02423209701	BLOWER	DIRECT	1/5	1075	3	CCWEOS	115	1	60	48	BALL	OPEN	HORIZONTAL
S1-02423220000	BLOWER	DIRECT	1/5	1075	3	CCWEOS	115	1	60	48	BALL	ODP	HORIZONTAL
S1-02423220700	BLOWER	DIRECT	1/5	1075	3	CCWEOS	115	1	60	48	BALL	ODP	HORIZONTAL
S1-02423239000	BLOWER	DIRECT	1/5	1075	3	CCWEOS	115	1	60	48	BALL	ODP	HORIZONTAL
S1-02423239700	BLOWER	DIRECT	1/5	1075	3	CCWEOS	115	1	60	48	BALL	ODP	HORIZONTAL
S1-02425101701	BLOWER	DIRECT	1/5	1075	3	CCWEOS	115	1	60	48	BALL	ODP	HORIZONTAL
S1-02425107701	BLOWER	DIRECT	1/5	1075	3	CCWEOS	115	1	60	48	BALL	ODP	HORIZONTAL
S1-02425879700	BLOWER	DIRECT	1/5	1000	3	CCWEOS	115	1	60	48	BALL	ODP	HORIZONTAL
S1-02425879701	BLOWER	DIRECT	1/5	1000	2	CCWEOS	115	1	60	48	BALL	ODP	HORIZONTAL
S1-02630511000	BLOWER	DIRECT	1/5	1000	2	CCW	115	1	60	42	BALL	ODP	HORIZONTAL
S1-2621A3129	BLOWER	DIRECT	1/5	950	MULTI	CCWLE	115				BALL		
S1-2621A3129	BLOWER	DIRECT	1/5	1050	MULTI	CCWLE	115				BALL		
S1-52432022000	BLOWER	DIRECT	1/5	1075	VARIABLE	REV	115	1	60	48	BALL	OPEN	
S1-86384129	BLOWER	DIRECT	1/5	1050		CCW	115				BALL		
S1-02417903703	BLOWER	DIRECT	1/4	1050	3	CCWEOS	115	1	60	42	BALL	OPEN	HORIZONTAL
S1-02420244701	BLOWER	DIRECT	1/4	1075	3	CCWEOS	115	1	60	48	BALL	OPEN	HORIZONTAL
S1-02421620700	BLOWER	DIRECT	1/4	1050	2	CCWEOS	115	1	60	48	BALL	OPEN	VSUDH
S1-02421767700	BLOWER	DIRECT	1/4	900	3	CCWEOS	115	1	60	42	BALL	OPEN	HORIZONTAL
S1-02423219000	BLOWER	DIRECT	1/4	1075	3	CCWEOS	115	1	60	48	BALL	ODP	HORIZONTAL
S1-02423219700	BLOWER	DIRECT	1/4	1075	3	CCWEOS	115	1	60	48	BALL	ODP	HORIZONTAL
S1-02424150700	BLOWER	DIRECT	1/4	1075	3	REV	115	1	60	48	BALL	OPEN	HORIZONTAL
S1-02425010000	BLOWER	DIRECT	1/4	1075	3	CCWEOS	115	1	60	48	BALL	ODP	HORIZONTAL
S1-02425010700	BLOWER	DIRECT	1/4	1075	3	CCWEOS	115	1	60	48	BALL	ODP	HORIZONTAL
S1-02425105702	BLOWER	DIRECT	1/4	1075	3	CCWEOS	115	1	60	48	BALL	ODP	HORIZONTAL
S1-02425108701	BLOWER	DIRECT	1/4	1075	3	CCWEOS	115	1	60	48	BALL	ODP	HORIZONTAL
S1-0242510702	BLOWER	DIRECT	1/4	1075	3	CCWEOS	115	1	60	48	BALL	ODP	HORIZONTAL
S1-02425108703	BLOWER	DIRECT	1/4	1075	3	CCWEOS	115	1	60	48	BALL	ODP	HORIZONTAL
S1-02425109701	BLOWER	DIRECT	1/4	1075	3	CCWEOS	115	1	60	48	BALL	ODP	HORIZONTAL
S1-0242510-702	BLOWER	DIRECT	1/4	1075	3	CCWEOS	115	1	60		BALL	ODP	HORIZONTAL
S1-02425942700	BLOWER	DIRECT	1/4	1075	3	CCWEOS	115	1	60	48	BALL	OPEN	HORIZONTAL
S1-1468-212P	BLOWER	DIRECT	1/4	1050	1	CCWEOS	115	1	60	42	BALL	OPEN	HORIZONTAL
S1-52432022000	BLOWER	DIRECT	1/4	1075	VARIABLE	REV	115	1	60	48	BALL	OPEN	
S1-02417793000	BLOWER	DIRECT	1/3	1075	3	CCWEOS	115	1	60	48	BALL	ODP	HORIZONTAL
S1-02417793700	BLOWER	DIRECT	1/3	1075	3	CCWEOS	115	1	60	48	BALL	ODP	HORIZONTAL
S1-02423218000	BLOWER	DIRECT	1/3	1075	3	CCWEOS	115	1	60	48	BALL	ODP	HORIZONTAL
S1-02423218700	BLOWER	DIRECT	1/3	1075	3	CCWEOS	115	1	60	48	BALL	ODP	HORIZONTAL
S1-0242324-000	BLOWER	DIRECT	1/3	1075	3	CCWEOS	115	1	60	48	BALL	ODP	HORIZONTAL
S1-02423240700	BLOWER	DIRECT	1/3	1075	3	CCWEOS	115	1	60	48	BALL	ODP	HORIZONTAL
S1-02423241000	BLOWER	DIRECT	1/3	1075	3	CCWEOS	115	1	60	48	BALL	ODP	HORIZONTAL
S1-02423241700	BLOWER	DIRECT	1/3	1075	3	CCWEOS	115	1	60	48	BALL	ODP	HORIZONTAL
S1-02424152700	BLOWER	DIRECT	1/3	1075	3	REV	115	1	60	48	BALL	OPEN	HORIZONTAL
S1-02425103702	BLOWER	DIRECT	1/3	1075	3	CCWEOS	115	1	60	48	BALL	ODP	HORIZONTAL
S1-02425112700	BLOWER	DIRECT	1/3	1075	3	CCWEOS	115	1	60	48	BALL	OPEN	HORIZONTAL
S1-02425114700	BLOWER	DIRECT	1/3	1075	3	CCWEOS	115	1	60	48	BALL	ODP	HORIZONTAL
S1-02431969000	BLOWER	DIRECT	1/3			CCWEOS	115				BALL		
S1-52432022000	BLOWER	DIRECT	1/3	1075	VARIABLE	REV	115	1	60	48	BALL	OPEN	
S1-8631A3239	BLOWER	DIRECT	1/3	1075		CW	115				BALL		
S1-02423211003	BLOWER	DIRECT	3/4	1060	3	CCWEOS	115	1	60	48	BALL	OPEN	HORIZONTAL
S1-02424156700	BLOWER	DIRECT	3/4	1075	3	REV	115	1	60	48	BALL	OPEN	HORIZONTAL
S1-02424156700	BLOWER	DIRECT	3/4	1100	4	CWEOE	115	1	60	48	BALL	OPEN	HORIZONTAL
S1-02426002000	BLOWER	DIRECT	3/4	1060	3	CCWEOS	115	1	60	48	BALL	ODP	HORIZONTAL
S1-02427601000	BLOWER	DIRECT	3/4	1080	3	CCWEOS	115	1	60	48	BALL	OPEN	HORIZONTAL
S1-02629074000	BLOWER	DIRECT	3/4	1075	3	CCWEOS	115	1	60	56	BALL	AO	
S1-02632259000	BLOWER	DIRECT	3/4	1075	3	REV	115	1	60	48	BALL	OPEN	
S1-297A3249	BLOWER	DIRECT	3/4	1100	4	CCWEOS	115	1	60	48	BALL	OPEN	HORIZONTAL

Timesaver Multi-HP PSC Motors

DIRECT DRIVE BLOWER MOTORS

S1-FHM3467



Features:

- Reversible rotation
- Ambient: 40°C
- Open enclosure
- 1/2" x 4.5" shaft (flatted)
- Resilient rings
- Extended thru bolts
- Automatic protector

This Time Saver motor replaces all motors in the cross reference table below.

SOURCE 1 PART NO.	VOLTAGE	RPM	MAX FLA	BEARINGS	LEADS	MLP \$
S1-FHM3467	208/230	1075	4.2	BALL	36"	

SOURCE 1 PART NO.	MAX HP	COOLING	HEATING	CAP (MFD)
S1-FHM3467	3/4	HI	MED-LO	20
	1/2	HI	LO	10
	1/3	MED-HI	LO	10
	1/4	MED-LO	LO	10
	1/5	LO	LO	10

CROSS REFERENCE FOR TIME SAVER™ S1-FHM3467 - BLOWER, DIRECT DRIVE, 1/6-1/2 HP, 208-230V

SOURCE 1 PART NO.	APP	DRIVE	HP	RPM	SPEED	ROTATION	VOLTS	PHASE	HZ	FRAME	BEARING	ENCLOSURE	ORIENT
S1-02412736700	BLOWER	DIRECT	1/5	1075	3	CCWEOS	208-230	1	60	48	BALL	OPEN	HORIZONTAL
S1-02416695700	BLOWER	DIRECT	1/5	1075	2	CWEOS	208-230	1	60	48	BALL	OPEN	VSUDH
S1-02419150700	BLOWER	DIRECT	1/5	1075	3	CWEOS	208-230	1	60	48	BALL	OPEN	HORIZONTAL
S1-02423223700	BLOWER	DIRECT	1/5	1075	4	CWEOS	208-230	1	60	42	BALL	OPEN	VSUDH
S1-02424773000	BLOWER	DIRECT	1/5	1075	3	CCWEOS	208-230	1	60	48	BALL	ODP	HORIZONTAL
S1-02424773700	BLOWER	DIRECT	1/5	1075	3	CCWEOS	208-230	1	60	48	BALL	ODP	HORIZONTAL
S1-52432023000	BLOWER	DIRECT	1/5	1075	VARIABLE	REV	208-230	1	60	48Y	BALL	OPEN	
S1-02421522000	BLOWER	DIRECT	1/4	1075	3	CCWEOS	208-230	1	60	48	BALL	OPEN	HORIZONTAL
S1-02421526700	BLOWER	DIRECT	1/4	1075	1	CWEOS	208-230	1	60	48	BALL	OPEN	HORIZONTAL
S1-02424151700	BLOWER	DIRECT	1/4	1075	3	REV	208-230	1	60	48	BALL	OPEN	HORIZONTAL
S1-02425982000	BLOWER	DIRECT	1/4	1075	3	CCWEOS	208-230	1	60	48	BALL	OPEN	HORIZONTAL
S1-02427866000	BLOWER	DIRECT	1/4	1075	3	CCWLE	208-230	1	60	48	BALL	SE	
S1-52432023000	BLOWER	DIRECT	1/4	1075	VARIABLE	REV	208-230	1	60	48Y	BALL	OPEN	
S1-02415643001	BLOWER	DIRECT	1/3	1075	3	CCW	208-230	1	60	48	BALL	OPEN	
S1-02416461700	BLOWER	DIRECT	1/3	825	1	CWEOS	208-230	1	60	48	BALL	OPEN	VSUD
S1-02420357000	BLOWER	DIRECT	1/3	1075	3	CCWEOS	208-230	1	60	48	BALL	OPEN	HORIZONTAL
S1-02421639000	BLOWER	DIRECT	1/3	895	1	CCWEOS	208-230	1	60	48	BALL	ODP	VSD
S1-02421639700	BLOWER	DIRECT	1/3	895	1	CCWEOS	208-230	1	60	48	BALL		VSUD
S1-02424153700	BLOWER	DIRECT	1/3	1075	3	REV	208-230	1	60	48	BALL	OPEN	HORIZONTAL
S1-02424504700	BLOWER	DIRECT	1/3	1075	3	CWEOS	208-230	1	50	48	BALL	OPEN	HORIZONTAL
S1-02424504700	BLOWER	DIRECT	1/3	1075	3	CWEOS	208-230	1	60	48	BALL	OPEN	HORIZONTAL
S1-02424772000	BLOWER	DIRECT	1/3	1075	3	CCWEOS	208-230	1	60	48	BALL	ODP	HORIZONTAL
S1-02424772700	BLOWER	DIRECT	1/3	1075	3	CCWEOS	208-230	1	60	48	BALL	ODP	HORIZONTAL
S1-02425106701	BLOWER	DIRECT	1/3	1075	3	CWEOS	208-230	1	60	48	BALL	OPEN	HORIZONTAL
S1-02425237000	BLOWER	DIRECT	1/3	1075	3	CWEOS	208-230	1	60	48	BALL	ODP	HORIZONTAL
S1-02425237700	BLOWER	DIRECT	1/3	1075	3	CWEOS	208-230	1	60	48	BALL	ODP	HORIZONTAL
S1-02425374700	BLOWER	DIRECT	1/3	1075	3	CWEOS	208-230	1	60	48	BALL		
S1-02425823700	BLOWER	DIRECT	1/3	925	3	CWEOS	208-230	1	60	48	BALL	OPEN	HORIZONTAL
S1-02425952001	BLOWER	DIRECT	1/3	900	3	CCWEOS	208-230	1	60	48	BALL	OPEN	VSD
S1-02425983000	BLOWER	DIRECT	1/3	1075	3	CCWEOS	208-230	1	60	48	BALL	OPEN	VSD
S1-02426086000	BLOWER	DIRECT	1/3	1075	3	CCWEOS	208-230	1	60	48	BALL	OPEN	VSD
S1-02427607000	BLOWER	DIRECT	1/3	925	4	CCWEOS	208-230	1	60	48	BALL	OPEN	HORIZONTAL
S1-02427868000	BLOWER	DIRECT	1/3	1075	3	CCWLE	208-230	1	60	48	BALL	SE	
S1-52432023000	BLOWER	DIRECT	1/3	1075	VARIABLE	REV	208-230	1	60	48Y	BALL	OPEN	
S1-02421670000	BLOWER	DIRECT	1/3	1050	3	CCWEOS	208-230	1	60	48	BALL	ODP	VSD
S1-02421670700	BLOWER	DIRECT	1/3	1050	3	CCWEOS	208-230	1	60	48	BALL	OPEN	VSD
S1-02424157700	BLOWER	DIRECT	3/4	1075	3	REV	208-230	1	60	48	BALL	OPEN	HORIZONTAL
S1-02424506700	BLOWER	DIRECT	3/4	1075	3	CWEOS	208-230	1	50	48	BALL	OPEN	HORIZONTAL
S1-02424506700	BLOWER	DIRECT	3/4	1075	3	CWEOS	208-230	1	60	48	BALL	OPEN	HORIZONTAL
S1-02425371700	BLOWER	DIRECT	3/4	1075	3	CWEOS	208-230	1	60	48	BALL	OPEN	HORIZONTAL
S1-02425973000	BLOWER	DIRECT	3/4	1075	3	CCWEOS	208-230	1	60	48	BALL	OPEN	HORIZONTAL
S1-02425985000	BLOWER	DIRECT	3/4	1130	3	CCWEOS	208-230	1	60	48	BALL	ODP	HORIZONTAL
S1-02426097000	BLOWER	DIRECT	3/4	1050	3	CCWEOS	208-230	1	60	48	BALL	OE	

Timesaver Multi-HP PSC Motors

DIRECT DRIVE BLOWER MOTORS

S1-FHM3465



Features:

- Reversible rotation
- Ambient: 60°C
- Totally enclosed

- 1/2" x 6" shaft (double flat)
- Extended thru bolts
- Automatic protector
- Mounting holes in shell

This Time Saver motor replaces all motors in the cross reference table below.

SOURCE 1 PART NO.	VOLTAGE	RPM	MAX FLA	BEARINGS	LEADS	MLP \$
S1-FHM3465	208/230	1075	2.6	BALL	36"	

SOURCE 1 PART NO.	1100MAX HP1075	SPEED TAP	CAP AT 208V LINE (MFD)	CAP AT 230V LINE (MFD)
S1-FHM3465	8251/3	HI	7.5	5
	1/4	HI	7.5	5
	1/5	LO	7.5	5
	1/6	LO	7.5	5

CROSS REFERENCE FOR TIME SAVER™ S1-FHM3466 - BLOWER, DIRECT DRIVE, 1/6-1/2 HP, 115V

SOURCE 1 PART NO.	APP	DRIVE	HP	RPM	SPEED	ROTATION	VOLTS	PHASE	HZ	FRAME	BEARING	ENCLOSURE	ORIENT
S1-02421720700	CONDENSER	DIRECT	1/6	825	1	CWEOS	208-230	1	60	48	BALL	OEBOS	VSU
S1-02423203700	CONDENSER	DIRECT	1/6	1100	1	CWEOS	208-230	1	60	48	BALL	OEBOS	VSD
S1-02424092000	CONDENSER	DIRECT	1/6	1075	1	REV	208-230	1	60	48	BALL		
S1-02424092700	CONDENSER	DIRECT	1/6	1075	1	REV	208-230	1	60	48	BALL		
S1-02426006000	CONDENSER	DIRECT	1/6	1060	1	SWEOS	208-230	1	60	48	BALL	ODP	HORIZONTAL
S1-02426021000	CONDENSER	DIRECT	1/6	850	1	CWEOS	208-230	1	60	48	BALL	TEAO	VSD
S1-1468-216P/A	CONDENSER	DIRECT	1/6	850	1	CWEOS	208-230	1	60	48	BALL	OPEN	VSU
S1-02420795700	CONDENSER	DIRECT	1/5	1075	1	CWLE	208-230	1	50	42	BALL	ODP	HORIZONTAL
S1-02420795700	CONDENSER	DIRECT	1/5	1075	1	CWLE	208-230	1	60	42	BALL	ODP	HORIZONTAL
S1-02424769000	CONDENSER	DIRECT	1/5	1075	1	CCWEOS	208-230	1	60	488	BALL	TEAO	VSU
S1-02416076700	CONDENSER	DIRECT	1/4	1075	1	CWEOS	208-230	1	60	48	BALL	ODP	VSUH
S1-02423294700	CONDENSER	DIRECT	1/4	1075	1	CWEOS	208-230	1	60	48	BALL	TEAO	VSD
S1-02423965000	CONDENSER	DIRECT	1/4	1075	1	CWEOS	208-230	1	60	48	BALL	TEAO	VSD
S1-02424158700	CONDENSER	DIRECT	1/4	1075	1	REV	208-230	1	60	48	BALL	OA	VSU
S1-02424160700	CONDENSER	DIRECT	1/4	1075	2	REV	208-230	1	60	48	BALL	OEBOS	VSU
S1-02424170700	CONDENSER	DIRECT	1/4	1075	1	REV	208-230	1	60	48	BALL	AO	VSD
S1-02424189700	CONDENSER	DIRECT	1/4	1075	2	REV	208-230	1	60		BALL	ODP	VSUDH
S1-02425070700	CONDENSER	DIRECT	1/4	1120	1	CWEOS	208-230	1	60	48	BALL	TEAO	VSD
S1-02425119701	CONDENSER	DIRECT	1/4	850	1	CWEOS	208-230	1	50	48	BALL	OEBOS	VSD
S1-02425119701	CONDENSER	DIRECT	1/4	850	1	CWEOS	208-230	1	60	48	BALL	OEBOS	VSD
S1-02425829700	CONDENSER	DIRECT	1/4	1075	1	CWEOS	208-230	1	50	48	BALL	OEBOS	VSD
S1-02425829700	CONDENSER	DIRECT	1/4	1075	1	CWEOS	208-230	1	60	48	BALL	OEBOS	VSD
S1-02425831700	CONDENSER	DIRECT	1/4	850	1	CWEOS	208-230	1	50	48	BALL	OEBOS	VSD
S1-02425831700	CONDENSER	DIRECT	1/4	850	1	CWEOS	208-230	1	60	48	BALL	OEBOS	VSD
S1-02425962000	CONDENSER	DIRECT	1/4	850	2	CWEOS	208-230	1	50	48	BALL	OEBOS	VSD
S1-02425962000	CONDENSER	DIRECT	1/4	850	2	CWEOS	208-230	1	60	48	BALL	OEBOS	VSD
S1-02426020700	CONDENSER	DIRECT	1/4	1100	1	CWEOS	208-230	1	60	48	BALL	TEAO	VSD
S1-02426022000	CONDENSER	DIRECT	1/4	850	1	CWEOS	208-230	1	60	48	BALL	TEAO	VSD
S1-02427500000	CONDENSER	DIRECT	1/4	850	1	CWEOS	208-230	1	60	48	BALL	TEAO	VSD
S1-02427596000	CONDENSER	DIRECT	1/4	850	1	CWEOS	208-230	1	60	48	BALL	TEAO	VSD
S1-02427885000	CONDENSER	DIRECT	1/4	1075	1	REV	208-230	1	60	48	BALL	OEBOS	VSU
S1-02427889000	CONDENSER	DIRECT	1/4	1075	1	REV	208-230	1	60	48	BALL	OEBOS	VSD
S1-1468-215P/B	CONDENSER	DIRECT	1/4	1100	1	CWEOS	208-230	1	60	48	BALL	OEBOS	VSU
S1-32425801002	CONDENSER	DIRECT	1/4	1120	1	CWEOS	208-230	1	60	48	BALL	TEAO	VSD
S1-02419186700	CONDENSER	DIRECT	1/3	1075	1	CWEOS	208-230	1	60	48	BALL	OEBOS	VSU
S1-02420080700	CONDENSER	DIRECT	1/3	1075	1	CWEOS	208-230	1	60	48	BALL	OEBOS	HORIZONTAL
S1-02421635000	CONDENSER	DIRECT	1/3	900	1		208-230	1	50		BALL		
S1-02421635000	CONDENSER	DIRECT	1/3	900	1		208-230	1	60		BALL		
S1-02421635700	CONDENSER	DIRECT	1/3	900	1		208-230	1	50		BALL		
S1-02421635700	CONDENSER	DIRECT	1/3	900	1		208-230	1	60		BALL		
S1-02424096000	CONDENSER	DIRECT	1/3	1075	2	REV	208-230	1	60		BALL		
S1-02424117001	CONDENSER	DIRECT	1/3	1120	1	CWEOS	208-230	1	60	48	BALL	TEAO	VSD
S1-02424162700	CONDENSER	DIRECT	1/3	1075	2	REV	208-230	1	60	48	BALL	AO	VSU
S1-02424163700	CONDENSER	DIRECT	1/3	1075	2	REV	208-230	1	60	48	BALL	OEBOS	VSU
S1-02424171700	CONDENSER	DIRECT	1/3	1075	1	REV	208-230	1	60	48	BALL	AO	VSD
S1-02424191700	CONDENSER	DIRECT	1/3	1075	2	REV	208-230	1	60		BALL	ODP	VSUDH
S1-02424981000	CONDENSER	DIRECT	1/3	1100	1	CCWEOS	208-230	1	60	48	BALL	TEAO	VSU
S1-02424981700	CONDENSER	DIRECT	1/3	1100	1	CCWEOS	208-230	1	60	48	BALL	TEAO	VSU
S1-02425378700	CONDENSER	DIRECT	1/3	1075	3	CCWEOS	208-230	1	60	48	BALL		
S1-02425820700	CONDENSER	DIRECT	1/3	1100	1	CWEOS	208-230	1	60	48	BALL	OEBOS	VSD
S1-02427886000	CONDENSER	DIRECT	1/3	1075	1	REV	208-230	1	50	48	BALL	OEBOS	VSU
S1-02434549000	CONDENSER	DIRECT	1/3	1100	1	CWEOS	208-230	1	60	48	BALL	OEBOS	VSU
S1-52434586000	CONDENSER	DIRECT	1/6-1/3	1075			208-230	1			BALL		
S1-52434587000	CONDENSER	DIRECT	1/6-1/3	825			208-230	1			BALL		
S1-52434588000	CONDENSER	DIRECT	1/2-1/5	1075			208-230	1			BALL		

Century Electric Motors

Century Electric Blower Motors



Features:

- Auto Protector
- Open Construction
- Standard Efficiency
- 26" Leads
- Class B Insulation
- PSC
- 2-1/4" Rings with 2-1/2" Adapters
- 48 Frame (5-5/8" dia.)
- Continuous Air Over
- 60 Hz only
- Lead Reversible
- Sleeve Bearing included
- 40°C Ambient

SOURCE 1 PART NO.	HP	RPM	SPEED	ROTATION	VOLTS	PHASE	HZ	MLP \$
S1-D1026	1/4	1075	3	REV	208/230	1	60	
S1-D1036	1/3	1075	3	REV	208/230	1	60	
S1-D1056	1/2	1075	3	REV	208/230	1	60	
S1-D1076	3/4	1075	3	REV	208/230	1	60	
S1-DL1026	1/4	1075	3	REV	115	1	60	
S1-DL1036	1/3	1075	3	REV	115	1	60	
S1-DL1056	1/2	1075	3	REV	115	1	60	
S1-DL1076	3/4	1075	3	REV	115	1	60	

Century Electric Fan Motors



Features:

- All Angle Mount
- Ext. Thru Bolts—Both Ends
- Sleeve Bearing
- 26" Leads
- Auto Protector
- 1/2" Dia. Shaft, Dbl. Flat
- 48 Frame (5-5/8" Dia.)
- Class B Insulation
- Permanent Split
- Capacitor
- 60°C Ambient
- Energy Efficient
- 4, 6 & 8-Pole
- Reversing Plug

SOURCE 1 PART NO.	HP	RPM	SPEED	ROTATION	VOLTS	PHASE	HZ	MLP \$
S1-FSE1016SV1	1/6	1075	1	REV	208/230	1	60	
S1-FSE1026SV1	1/4	1075	1	REV	208/230	1	60	
S1-FSE1036SV1	1/3	1075	1	REV	208/230	1	60	
S1-FSE1038S	1/3	825	1	REV	208/230	1	60	
S1-FSE1056SV1	1/2	1075	1	REV	208/230	1	60	
S1-FSE1076SV1	3/4	1075	1	REV	208/230	1	60	



Features:

- Energy-efficient PSC design
- 3-year warranty from date of manufacture date code, or 2 years from the date of installation
- High-temperature UL/CSA-approved overload protector
- UL/CSA-approved Class F insulation
- 70°C (158°F) max. ambient
- Water-resistant reversing plug
- Double-sealed ball bearings, or dependable all-angle sleeve bearings
- All-angle mount
- Mounts by belly band, adjustable extended thru-bolts, or Rheem mounting holes, with screws supplied
- Lead length 36"
- 60 Hertz
- Totally enclosed
- Continuous duty, air over
- UL and CSA approved

SOURCE 1 PART NO.	HP	RPM	ROTATION	SPEED	VOLTS	PHASE	HZ	NOTES	MLP \$
S1-FE1008SF	1/6	825	REV	1	208/230	1	60		
S1-FE1018SF	1/4	825	REV	1	208/230	1	60		
S1-FE1028SF	1/3	825	REV	1	208/230	1	60		
S1-FE1038SF	1/2	825	REV	1	208/230	1	60		
S1-FE1056SF	1/2	1075	REV	1	208/230	1	60		
S1-FE1058SF	3/4	825	REV	1	208/230	1	60		
S1-FSE1028SF	1/4	825	REV	1	208-230		60	311,370,\$	
S1-ORM5458BF	1/3-1/6	1075	REV	1	208/230	1	60		
S1-ORM5488BF	1/8-1/8	825	REV	1	208/230	1	60		

Note: \$ Energy Efficient, 311. 1/2" dia. shaft, single flat, 370. 48" leads

Century Electric Motors

Century Electric MasterFit Universal Replacement Motors



Features:

- Energy Efficient
- Different Capacitor/Speed Combinations
- Designed for 370V Capacitor (not furnished)
- Permanent Split Capacitor
- Ball and Sleeve Bearing
- Rotation Reversible
- Resilient Rings on Blower Motors
- Extended Thru Bolts
- Automatic Protector
- Class B Insulation
- 48 Frame
- Single Phase
- Continuous Duty Air Over
- Mounts by Belly Band, Thru Bolts or Shell Holes
- Rheem Mounting Holes in Shell
- Shaft length: all 1/2" x 5" except S1-FE6000 1/2" x 6"
- Blower motors: Ambient - 40°C; Open Dripproof
- Fan motors: Ambient - 60°C; Totally Enclosed Air Over

SOURCE 1 PART NO.	APPLICATION	HP	RPM	SPEED	VOLTS	HZ	MLP \$
S1-FD6000	DIRECT DRIVE INDOOR BLOWER	1/2-1/6	1075	4	208/230	60	
S1-FD6001	DIRECT DRIVE INDOOR BLOWER	3/4-1/5	1075	4	208/230	60	
S1-FDL6001	DIRECT DRIVE INDOOR BLOWER	1/2-1/6	1075	4	115	60	
S1-FDL6002	DIRECT DRIVE INDOOR BLOWER	3/4-1/5	1075	4	115	60	
S1-FE6000F	TOTALLY ENCLOSED CONDENSER FAN	1/3-1/5	1075	2	208-230	60	
S1-CE-FE6001F	TOTALLY ENCLOSED CONDENSER FAN	1/3-1/6	825	2	208/230	60	
S1-FE6002F	TOTALLY ENCLOSED CONDENSER FAN	1/2-1/5	1075	2	208/230	60	

5" DIAMETER SINGLE SHAFT OPEN FAN/BLOWER MOTORS

Furnaces - Air Handlers - Fan Coils - Air Conditioning



Features:

- Auto Protector
- Continuous Air Over
- Open Construction
- Permanent Split Capacitor
- 1/2" Dia. Flatted Shaft
- 42 Frame
- 60 Hz
- Sleeve Bearing

OEM Replacements for: Reznor, Luxaire, Armstrong, Payne, Day & Night, Bryant, Bohn, Intertherm, Kodair, Dole, Coleman, Janitrol, Steward Warner, International Heater Etc.

SOURCE 1 PART NO.	HP	RPM	SPEEDS	VOLTS	AMPS	ROTATION	CAPACITOR	DIM. REF.	NOTES	MLP \$
S1-390	1.4-1.5-1.7	1050	3	115	3.7-3.1-2.4	REV	7.5MFD-370V	1	9,26	

Notes: 9. Reversing Plug, 26. Extended thru bolts, shaft end

REF.	BM	C	N	R
1	4.25	10.25	6.00	

CAPACITOR START RESILIENT BASE MOTORS



Features:

- High Start Torque
- 40°C Ambient
- Reversible
- 60 Hz
- 2, 4 and 6 Pole

Applications: Compressors, pumps, conveyors, milking machines, blowers, fans

SOURCE 1 PART NO.	HP	RPM	VOLTS	FULL LOAD AMPS	FRAME	BEARINGS	ENCLOSURE	INSUL. CLASS	OVERLOAD PROTECTOR	MLP \$
S1-BK1054	1/2	1725	115/208-230	8.8/4.4	56	Ball	ODP	B	Auto	
S1-RB1074A	3/4	1725	115/208-230	13.0/6.5	56	Ball	ODP	B	Auto	
S1-RB1104AV1	1	1725/1425	115/208-230	14.4/6.6-7.2	56	Ball	Open	B	Auto	
S1-CE-C654	3/4	1725	115/208-230	11/5.4-5.5	56	Sleeve	Open	B	Auto	

Century Electric Motors

THREE PHASE ODP RESILIENT BASE MOTORS

Pumps - Blowers- Conveyors - Industrial Duty



- Features:**
- Ball Bearing
 - 40° C Ambient
 - Continuous Duty
 - 60 HZ

SOURCE 1 PART NO.	HP	RPM	VOLTS	FULL LOAD AMPS	SERVICE FACTOR	FRAME	INSUL. CLASS	OVERLOAD PROTECTOR	MLP \$
S1-BK3074	3/4	1725	208-230/460	2.9/1.45	1.25	56H	B	Auto	
S1-RB3104A	1	1725	208-230/460	3.6/1.8	1.25	56H	B	Auto	
S1-RB3154AV1	1-1/2	1725	208-230/460	5.0/2.5	1.15	56HZ	B	Auto	

6-1/2" DIAMETER STOCK MOTORS

56 Frame Vertical Condenser Fan Continuous Duty, Air Over



- Features:**
- Auto Protector
 - Class B or F Moisture-Resistant Insulation
 - 5/8" Dia. Shaft with both
 - 60 Hz
 - Three Phase - Electrically Reversible
 - Double Sealed Ball Bearing
 - Three Phase Keyway and Flat
 - Quick-Connect Design
 - Reversible

Notes:
163. No keyway, double flat

SOURCE 1 PART NO.	HP	RPM	VOLTS	AMPS	SERVICE FACTOR	FRAME	INSUL. CLASS	AMBIENT °C	ENCLOSURE	MLP \$
S1-H667	1	1140	460/200-230	2.6/5.3-5.2	1.00	56Y	B	60	OAO	
S1-H686	1	850	460/200-230	2.0/4.4-4.0	1.00	56Y	B	60	OAO	
S1-H697	1-1/2	1140	460/200-230	2.6/5.4-5.2	1.15	56Y	B	70	TEAO	
S1-H767	1-1/2	1140	460/200-230	3.0/5.8-6.0	1.00	56Y	B	60	ODP	

OUTDOOR BALL BEARING CONDENSER FAN MOTORS

Three-Phase



- Features:**
- Important:** Use amps as well as HP for replacement reference.
- Auto Protector
 - Base Mounted
 - Ball Bearing
 - Capac. Mounted (Single Phase)
 - Open Lead End Only
 - Reversible
 - Service Factor
 - 60Hz

SOURCE 1 PART NO.	HP	RPM	VOLTS	MAX AMPS	FRAME	SHAFT	AMBIENT °C	ENCLOSURE	ROTATION	BASE	MLP \$
S1-H685	1	1140	460/200-230	1.9/4.2-3.8	56Y	5/8" KEY & FLAT	60	TEAO	RCC	RCC	

Century Electric Motors

CONDENSER FAN MOTOR SINGLE-PHASE, PSC

Deluxe Heatmaster Condenser Fan Motor Single-Phase, PSC



Features:

- Patented canopy design, fan blades move cooling air through the motor for extra performance and long life
- Suitable for use with solid state speed control devices
- Electrically reversible, 70°C ambient
- Heavy-duty ball bearings
- Diameter shafts have flat and key

SOURCE 1 PART NO.	HP	RPM	SPEEDS	VOLTS	AMPS	ROTATION	CAPACITOR	MLP \$
S1-FC1086F	4/5	1075	1	200-230/460	4.6	REV	20MFD/370V	

5" DIAMETER SINGLE SHAFT OPEN FAN/BLOWER MOTORS

Furnaces - Air Handlers - Fan Coils - Air Conditioning Motors



OEM Replacements for: Reznor, Luxaire, Armstrong, Payne, Day & Night, Bryant, Bohn, Intertherm, Kodair, Dole, Coleman, Janitrol, Steward Warner, International Heater, etc.

Features:

- Auto Protector
- 42 Frame
- Permanent Split Capacitor
- 1/2" Dia. Flatted Shaft
- Open Construction
- Sleeve Bearing
- Continuous Air Over
- 60 Hz

SOURCE 1 PART NO.	HP	RPM	SPEEDS	VOLTS	AMPS	ROTATION	CAPACITOR	MLP \$
S1-CE-391	1/4-1/5-1/7	1050	3	208-230	1.5-1.2-1.0	REV	7.5MFD/370V	

5-5/8" DIAMETER (TOTALLY ENCLOSED) - OUTDOOR BALL AND SLEEVE BEARING MOTORS

Condensers - Heat Pump-Refrigeration Motors



Features:

- Energy Efficient \$
- Auto Protector
- 26" (Minimum) to 48" Leads
- All Angle Mount
- Ball or Sleeve Bearing
- Extended Thru Bolts
- Permanent Split Capacitor
- Reversible
- 60 HZ
- 60° or 70° C Ambient
- 1/2" Dia. Flatted Shaft
- Class B or Class F
- 6 and 8 Pole

SOURCE 1 PART NO.	HP	RPM	SPEEDS	VOLTS	AMPS	ROTATION	CAPACITOR	MLP \$
S1-CE-629A	1/6	825	1	208-230	1	REV	5MFD/370V	
S1-FEH1026SF	3/4	1075	1	460	1	REV	10MFD/370V	

DIRECT DRIVE BLOWER MOTOR



SOURCE 1 PART NO.	HP	RPM	SPEEDS	VOLTS	AMPS	ROTATION	CAPACITOR	MLP \$
S1-BDL1106	1	1075	4	115	14.7	CW/CCW	2MDW2	

Century Electric Motors

CONDENSER FAN MOTOR, PSC

5-5/8" High Efficiency Indoor Blower Motor



SOURCE 1 PART NO.	HP	RPM	SPEEDS	VOLTS	AMPS	ROTATION	CAPACITOR	MLP \$
S1-FD1056	1/2	1075	3	208-230	2.7	REV	2MDV6	

5" DIAMETER MULTIFIT® CONDENSER FAN MOTORS



SOURCE 1 PART NO.	HP	RPM	SPEEDS	VOLTS	AMPS	ROTATION	CAPACITOR	MLP \$
S1-9723F	1/4-1/6	1075	1	208-230	2.0	REV	7.5MFD/370V	

O.E.M. - DIRECT REPLACEMENT



SOURCE 1 PART NO.	HP	RPM	SPEEDS	VOLTS	AMPS	ROTATION	SHAFT DIA. & LENGTH	MOTOR DIA.	MLP \$
S1-H978	SPL	1140	1	208-230/460/575	5.5/2.8-3.4	REV	5.8" X 4-5/8"	6-1/2"	

Rheem-Ruud Direct Replacement Motors



SOURCE 1 PART NO.	HP	RPM	SPEEDS	VOLTS	AMPS	ROTATION	CAPACITOR	MLP \$
S1-CE-ORM1008	1/8	825	1	208-230	0.7	REV	5MFD/370V	
S1-CE-ORM10206V1	1/5	1075	1	208-230	1.4	REV	3MFD/370V	

Genteq Motors

ECM Motors

Brushless Direct Drive Blower, ECM



SOURCE 1 PART NO.	HP	RPM	SPEEDS	VOLTS	AMPS	ROTATION	CAPACITOR	MLP \$
S1-6005	0.5	1000-1380	1	115/230	6.7/4.0	CW/CCW	N/A	
S1-6010	1	1000-1380	1	115/230	11.0/6.7	CW/CCW	N/A	

FASCO Motors

3-IN-1™ 3.3" DIAMETER PSC MOTOR



FASCO

Features:

- Easy-to-Read Connection Diagram Attached to White Lead Wire
- Now! Four Studs on Each End
- 40° C Ambient
- Class B Insulation
- 60/50 HZ
- UL and CSA Recognized
- Replaces 1/12, 1/15, 1/20 HP PSC and Low Efficient Shaded Pole Designs
- Direct Drop-in Replacement for walk-in cooler evaporator fans

SOURCE 1 PART NO.	HP	VOLTS	AMPS	RPM	SPEEDS	BM DIM	SHAFT DIA. & LENGTH	ROTATION	WT.	MLP \$
S1-9721	1/12,1/15,1/20	115/208-230	1.1/0.5	1550	1	3.60	5/16 X 3-1/4	REV	4.75	

UNIT BEARING MOTORS



FASCO

Features:

- Easy-to-Read Connection Diagram Attached to White Lead Wire
- Type: Shaded Pole - Air Over
- 40° C Ambient
- Class B Insulation
- 60/50 HZ
- UL and CSA Recognized
- Fits existing brackets used by GE and Morrill
- Direct Drop-in Replacement for walk-in cooler evaporator fans

SOURCE 1 PART NO.	WATT RATING	VOLTS	AMPS	RPM	SPEEDS	BM DIM	THREADED SHAFT	ROTATION	WT.	MLP \$
S1-RB-D550	2	115	0.24	1550	1	2.37	1/4 - 20	CWLE	2	

REFRIGERATION MOTORS

OEM Replacement Motors



FASCO

SOURCE 1 PART NO.	DESCRIPTION	REPLACES	TYPE	HP	VOLTS	RPM	SPEED	AMPS	ENCLOSURE	ROT.	BRNG.	MLP \$
S1-RB-D1050	MTR,COND,1/8,1550/1,CWSE,115V	GE/TRANE	PSC	1/8	115	1550	1	1.1	OPEN VENT	CW	SLV	
S1-RB-D1101	MTR,COND,1/20,1500/1,CCWSE,115V	LARKIN COIL	SP	1/20	115	1500	1	1.9	OPEN VENT	CCW	SLV	
S1-RB-D1102	MTR,COND,1/20,1550/1,CWSE,115/230V	WITT	PSC	1/20	115/230	1550	1	.75-.4	OPEN VENT	CW	SLV	
S1-RB-D1103	MTR,COND,1/20,1500/1,CCWSE,208-230V	LARKIN COIL	SP	1/20	208-230	1500	1	1.15	OPEN VENT	CCW	SLV	
S1-RB-D1120	MTR,COND,1/20,1550/1,CWSE,115V	KEEPRITE	SP	1/20	115	1550	1	2.1	OPEN VENT	CW	SLV	
S1-RB-D1121	MTR,COND,1/20,1550/1,CWSE,208-230V	KEEPRITE	SP	1/20	208-230	1550	1	1	OPEN VENT	CW	SLV	
S1-RB-D1124	MTR,COND,1/20,1550/1,CWSE,115V	BOHN	SP	1/20	115	1550	1	2.1	OPEN VENT	CW	SLV	
S1-RB-D1125	MTR,COND,1/12,1550/1,CCWSE,208-230V	BOHN	PSC	1/12	208-230	1550	1	0.5	OPEN VENT	CCW	SLV	
S1-RB-D1126	MTR,COND,1/15,1550/1,CWSE,208-230V	BOHN	SP	1/15	208-230	1550	1	1.1	OPEN VENT	CW	SLV	
S1-RB-D1142	MTR,COND,1/15,1500/1,CWSE,115/230V	MCQUAY	SP	1/15	115/230	1500	1	1.7-.9	OPEN VENT	CW	SLV	
S1-RB-D1144	MTR,COND,1/25-1/35-1/65,1200/3,CWSE,115V	MCQUAY	PSC	1/25-1/35-1/65	115	1200	3	1.1-9-.6	OPEN VENT	CW	SLV	
S1-RB-D1152	MTR,COND,1/20,1500/1,CWSE,115V	KRAMER/TRENTON	SP	1/20	115	1500	1	1.7	OPEN VENT	CW	SLV	
S1-RB-D1154	MTR,COND,1/20,1550/1,CWSE,230V	KRAMER/TRENTON	SP	1/20	230	1550	1	1	OPEN VENT	CW	SLV	
S1-RB-D1164	MTR,COND,1/25,1550/1,CWSE,115/230V	SINGER	SP	1/25	115/230	1550	1	1.3-.65	TOTALLY ENCL.	CW	SLV	
S1-RB-D1243	MTR,COND,1/20,1550/1,CCWSE,115V	KEEPRITE	PSC	1/20	115	1550	1	0.8	OPEN VENT	CCW	SLV	
S1-RB-D1245	MTR,COND,1/20,1550/1,CCWSE,208-230V	KEEPRITE	PSC	1/20	208-230	1550	1	0.3	OPEN VENT	CCW	SLV	

FASCO Motors

COMMERCIAL MOTORS

Three Phase ODP Integral Horsepower General Purpose Motors



Features:

- Rigid Base
- 2, 4 & 6 Pole
- NEMA Premium & EPACT
- Class F Insulation System
- Inverter Duty
- 1.15 Service Factor
- 50/60 Hz
- CE & CSA
- UL Approvals
- 40°C Ambient
- Rolled Steel Construction

SOURCE 1 PART NO.	DESCRIPTION	FASCO MODEL NO.	HP	RPM	VOLTS	PHASE	SE ROT.	MLP \$
S1-CE-TO103	MTR,BLW,1,1800/3,REV,200	TO103	1	1800	200	3	REV	
S1-CE-TO101	MTR,BLW,1,1800/3,REV,208-230/460	TO101	1	1800	208-230/460	3	REV	
S1-CE-TO102	MTR,BLW,1,1800/3,REV,575	TO102	1	1800	575	3	REV	
S1-CE-TO107	MTR,BLW,1.5,1800/3,REV,200	TO107	1.5	1800	200	3	REV	
S1-CE-TO105	MTR,BLW,1.5,1800/3,REV,208-230/460	TO105	1.5	1800	208-230/460	3	REV	
S1-CE-TO106	MTR,BLW,1.5,1800/3,REV,575	TO106	1.5	1800	575	3	REV	
S1-CE-TO110	MTR,BLW,2,1800/3,REV,200	TO110	2	1800	200	3	REV	
S1-CE-TO111	MTR,BLW,2,1800/3,REV,208-230/460	TO111	2	1800	208-230/460	3	REV	
S1-CE-TO112	MTR,BLW,2,1800/3,REV,575	TO112	2	1800	575	3	REV	
S1-CE-TO117	MTR,BLW,3,1800/3,REV,200	TO117	3	1800	200	3	REV	
S1-CE-TO115	MTR,BLW,3,1800/3,REV,208-230/460	TO115	3	1800	208-230/460	3	REV	
S1-CE-TO116	MTR,BLW,3,1800/3,REV,575	TO116	3	1800	575	3	REV	
S1-CE-TO122	MTR,BLW,5,1800/3,REV,200	TO122	5	1800	200	3	REV	
S1-CE-TO120	MTR,BLW,5,1800/3,REV,208-230/460	TO120	5	1800	208-230/460	3	REV	
S1-CE-TO121	MTR,BLW,5,1800/3,REV,575	TO121	5	1800	575	3	REV	
S1-CE-TO127	MTR,BLW,7.5,1800/3,REV,200	TO127	7.5	1800	200	3	REV	
S1-CE-TO125	MTR,BLW,7.5,1800/3,REV,208-230/460	TO125	7.5	1800	208-230/460	3	REV	
S1-CE-TO126	MTR,BLW,7.5,1800/3,REV,575	TO126	7.5	1800	575	3	REV	
S1-CE-TO132	MTR,BLW,10,1800/3,REV,200	TO132	10	1800	200	3	REV	
S1-CE-TO130	MTR,BLW,10,1800/3,REV,208-230/460	TO130	10	1800	208-230/460	3	REV	
S1-CE-TO131	MTR,BLW,10,1800/3,REV,575	TO131	10	1800	575	3	REV	
S1-CE-E450M2	MTR,BLW,15,1800/3,REV,200	E450M2	15	1800	200	3	REV	
S1-CE-E451M2	MTR,BLW,15,1800/3,REV,230/460	E451M2	15	1800	230/460	3	REV	
S1-CE-E927M2	MTR,BLW,15,1800/3,REV,575	E927M2	15	1800	575	3	REV	
S1-CE-E452M2	MTR,BLW,20,1800/3,REV,200	E452M2	20	1800	200	3	REV	
S1-CE-E407M2	MTR,BLW,20,1800/3,REV,230/460	E407M2	20	1800	230/460	3	REV	
S1-CE-E928M2	MTR,BLW,20,1800/3,REV,575	E928M2	20	1800	575	3	REV	

Three Phase TEFC Integral Horsepower General Purpose Motors



Features:

- Rigid Base
- 2, 4 & 6 Pole
- NEMA Premium
- Class F Insulation System
- Inverter Duty
- 1.15 Service Factor
- 50/60 Hz
- CE & CSA
- UL Approvals
- 40°C Ambient
- F1/F2 Mounting
- Rolled Steel Construction

SOURCE 1 PART NO.	DESCRIPTION	FASCO MODEL NO.	HP	RPM	VOLTS	PHASE	SE ROT.	MLP \$
S1-CE-TE104	MTR,BLW,1,1800/3,REV,200	TE104	1	1800	200	3	REV	
S1-CE-TE102	MTR,BLW,1,1800/3,REV,208-230/460	TE102	1	1800	208-230/460	3	REV	
S1-CE-TE103	MTR,BLW,1,1800/3,REV,575	TE103	1	1800	575	3	REV	
S1-CE-TE107	MTR,BLW,1.5,1800/3,REV,200	TE107	1.5	1800	200	3	REV	
S1-CE-TE108	MTR,BLW,1.5,1800/3,REV,208-230/460	TE108	1.5	1800	208-230/460	3	REV	
S1-CE-TE109	MTR,BLW,1.5,1800/3,REV,575	TE109	1.5	1800	575	3	REV	
S1-CE-TE114	MTR,BLW,2,1800/3,REV,200	TE114	2	1800	200	3	REV	
S1-CE-TE115	MTR,BLW,2,1800/3,REV,208-230/460	TE115	2	1800	208-230/460	3	REV	
S1-CE-TE116	MTR,BLW,2,1800/3,REV,575	TE116	2	1800	575	3	REV	
S1-CE-TE123	MTR,BLW,3,1800/3,REV,200	TE123*	3	1800	200	3	REV	
S1-CE-TE121	MTR,BLW,3,1800/3,REV,208-230/460	TE121*	3	1800	208-230/460	3	REV	
S1-CE-TE122	MTR,BLW,3,1800/3,REV,575	TE122*	3	1800	575	3	REV	
S1-CE-TE128	MTR,BLW,5,1800/3,REV,200	TE128*	5	1800	200	3	REV	
S1-CE-TE129	MTR,BLW,5,1800/3,REV,208-230/460	TE129*	5	1800	208-230/460	3	REV	
S1-CE-TE130	MTR,BLW,5,1800/3,REV,575	TE130*	5	1800	575	3	REV	
S1-CE-TE135	MTR,BLW,7.5,1800/3,REV,200	TE135*	7.5	1800	200	3	REV	
S1-CE-TE136	MTR,BLW,7.5,1800/3,REV,208-230/460	TE136*	7.5	1800	208-230/460	3	REV	
S1-CE-TE137	MTR,BLW,7.5,1800/3,REV,575	TE137*	7.5	1800	575	3	REV	
S1-CE-TE142	MTR,BLW,10,1800/3,REV,200	TE142*	10	1800	200	3	REV	
S1-CE-TE143	MTR,BLW,10,1800/3,REV,208-230/460	TE143*	10	1800	208-230/460	3	REV	
S1-CE-TE144	MTR,BLW,10,1800/3,REV,575	TE144*	10	1800	575	3	REV	
S1-CE-TE151	MTR,BLW,15,1800/3,REV,200	TE151*	15	1800	200	3	REV	
S1-CE-TE149	MTR,BLW,15,1800/3,REV,208-230/460	TE149*	15	1800	208-230/460	3	REV	
S1-CE-TE150	MTR,BLW,15,1800/3,REV,575	TE150*	15	1800	575	3	REV	
S1-CE-TE156	MTR,BLW,20,1800/3,REV,200	TE156*	20	1800	200	3	REV	
S1-CE-TE157	MTR,BLW,20,1800/3,REV,208-230/460	TE157*	20	1800	208-230/460	3	REV	
S1-CE-TE158	MTR,BLW,20,1800/3,REV,575	TE158*	20	1800	575	3	REV	

FASCO Motors

BLOWER MOTORS

Draft Inducers



FASCO

SOURCE 1 PART NO.	DESCRIPTION	FASCO MODEL NO.	HP	TYPE	VOLTS	SPEED	AMPS	SE ROT.	MLP \$
S1-RB-A066	BLW ASSEM,VTR,1/30,3000/1,CW,120V	A066	1/30	SP	120	1	1.27	CW	
S1-RB-A079	BLW ASSEM,VTR,1/30,3000/1,CW,120V	A079	1/50	SP	115	1	1.1	CCW	
S1-RB-A134	BLW ASSEM,VTR,1/25,3060/1,CWSE,115V	A134	1/25	SP	115	1	1.5	CW	
S1-RB-A136	BLW ASSEM,VTR,1/20,3450/1,CWSE,115V	A136	1/20	PSC	115	1	0.75	CW	
S1-RB-A138	BLW,ASSEM,VTR,1/70,3000/1,CCW,120V	A138	1/70	SP	120	1	0.70	CCW	
S1-RB-A143	BLW ASSEM,VTR,1/50,3000/1,CWSE,115V	A143	1/50	SP	115	1	0.95	CW	
S1-A150	BLW,ASSEM,VTR,1/35,3000/1,CCW,208-230	A150	1/35	SP	208-230	1	0.50	CCW	
S1-A155	BLW,ASSEM,VTR,1/30,3000/CCW,115	A155	1/30	SP	208-230	1	1.4	CCW	
S1-RB-A157	BLW ASSEM,VTR,1/35,3000/1,CCW,115V	A157	1/35	SP	115	1	1.3	CCW	
S1-RB-A163	BLW ASSEM,VTR,1/20,3400/1,CCWSE,115V	A163	1/20	SP	115	1	1.8	CCW	
S1-RB-A166	BLW ASSEM,VTR,,3200/1,CWSE,115V	A166			115	1	1.4	CW	
S1-RB-A170	BLW ASSEM,VTR,1/25,3400/1,CCWSE,115V	A170	1/25	SP	115	1	2.3	CCW	
S1-RB-A171	BLW ASSEM,VTR,1/25,3450/1,CCWSE,115V	A171	1/25	PSC	115	1	0.7	CCW	
S1-RB-A172	BLW ASSEM,VTR,1/35,3000/1,CWSE,115V	A172	1/35	SP	115	1	1.6	CW	
S1-RB-A173	BLW ASSEM,VTR,1/18,3450/1,CCWSE,115V	A173	1/18	PSC	115	1	0.8	CCW	
S1-RB-A200	BLW ASSEM,VTR,1/30,3000/1,CCWSE,115V	A200	1/30	SP	115	1	1.95	CCW	
S1-A202	BLW,ASSEM,VTR,1/30,3400/CCW,115	A202	1/30	SP	115	1	1.8	CCW	
S1-A213	BLW,ASSEM,VTR,1/25,3200/CCW,115	A213	1/25	SP	115	1	2.1	CCW	
S1-A225	BLW,ASSEM,VTR,1/15,3200/1,CW,115	A225	1/15	SP	115	1	2.25	CW	
S1-A241	BLW,ASSEM,VTR,1/50,3200/1,CW,208-230	A241	1/50	SP	208-230	1	0.62	CW	
S1-RB-D1109	MTR,BLW,1/100,1500/1,CCWSE,115V	D1109	1/100	SP	115	1	0.65	CCW	
S1-RB-D120	MTR,BLW,1/70,1500/1,CWSE,115V	D120	1/70	SP	115	1	0.7	CW	
S1-RB-D121	MTR,BLW,1/70,1500/1,CCWSE,115V	D121	1/70	SP	115	1	0.7	CCW	
S1-RB-D122	MTR,BLW,1/80,1500/1,CWSE,115V	D122	1/80	SP	115	1	0.6	CW	
S1-RB-D123	MTR,BLW,1/80,1500/1,CCWSE,115V	D123	1/80	SP	115	1	0.6	CCW	
S1-RB-D124	MTR,BLW,1/50,1500/1,CWSE,115V	D124	1/50	SP	115	1	0.75	CW	
S1-RB-D125	MTR,BLW,1/50,1500/1,CCWSE,115V	D125	1/50	SP	115	1	0.75	CCW	
S1-RB-D126	MTR,BLW,1/40,1500/1,CWSE,115V	D126	1/40	SP	115	1	1.1	CW	
S1-RB-D132	MTR,BLW,1/20,1500/1,CWSE,115V	D132	1/20	SP	115	1	1.8	CW	
S1-RB-D156	MTR,BLW,1/6,1050/1,CWSE,115V	D156	1/6	SP	115	1	6.6	CW	
S1-RB-D158	MTR,BLW,1/5-1/7,1050/3,CWSE,115V	D158	1/5-1/7	SP	115	3	6.7-5.3-4.7	CW	
S1-RB-D166	MTR,BLW,1/6-1/9,1050,1050/2,CWSE,115V	D166	1/6-1/9	SP	115	2	7.2-3.8	CW	

Capacitors

TURBO CAPACITORS

Turbo® 200



A. TurboTester™ - Simultaneously test and display MFD values for fan and compressor.

B. The Original Turbo™ 200 - Technicians can now replace any one of the more than 200 dual capacitors used for HVAC and maintenance work.

C. Turbo™ 200 MINI - A permanent replacement for up to 14 popular "fan-sized" values—2.5 mfd to 12.5 mfd

D. Turbo™ 200X - Replace any one of the higher range of capacitors used in scroll compressors and higher efficiency A/C units requiring duals such as 70/5 to as high as 90/7.5.

E. Turbolytic™ 50 - the world's first universal "Motor-Start" capacitor—can replace any one of the most popular values and voltages. For your safety and performance, the Turbo®200 series has been tested and approved to the highest certification level of UL Standard 810; 10,000 AFC; PROTECTED. (As required for all "original equipment" motor-run capacitors.)

SOURCE 1 PART NO.	DESCRIPTION	QTY. PER CASE	MLP \$
S1-TURBO200	CAP,RUN,2.5-67.5 MFD,TURBO 200	20	
S1-TURBO200MINI	CAP,RUN,2.5-12.5 MFD,TURBO 200 MINI	50	
S1-TURBO200X	CAP,RUN,70/5-90/7.5 MFD,TURBO 200X	16	
S1-TURBOLYTIC50	CAP,START,UNIV,TURBOLYTIC 50	16	

*Price per piece

Capacitors

SINGLE RUN CAPACITORS



Features:

- Continuous duty for single phase AC motors
- Non PCB liquid filled
- 50 & 60 Hz operation
- Tin plated 1/4 x .032 male terminals
- Internally protected by pressure sensitive interrupter device
- Aluminum case with terne plate steel cover

SOURCE 1 PART NO.	MFD	VOLTS	CAN STYLE	MLP \$
S1-CAP37020F	2.0	370	FLAT	
S1-CAP37040F	4.0	370	FLAT	
S1-CAP37050F	5.0	370	FLAT	
S1-CAP37050R	5.0	370	ROUND	
S1-CAP37060F	6.0	370	FLAT	
S1-CAP37075F	7.5	370	FLAT	
S1-CAP37075R	7.5	370	ROUND	
S1-CAP37100F	10.0	370	FLAT	
S1-CAP37100R	10.0	370	ROUND	
S1-CAP37125F	12.5	370	FLAT	
S1-CAP37150F	15.0	370	FLAT	
S1-CAP37175F	17.5	370	FLAT	
S1-CAP37250F	25.0	370	FLAT	
S1-CAP37250R	25.0	370	ROUND	
S1-CAP37300F	30.0	370	FLAT	
S1-CAP37300R	30.0	370	ROUND	
S1-CAP37350F	35.0	370	FLAT	
S1-CAP37400F	40.0	370	FLAT	
S1-CAP37450F	45.0	370	FLAT	
S1-CAP37500F	50.0	370	FLAT	
S1-CAP37550R	55.0	370	ROUND	
S1-CAP37600R	60.0	370	ROUND	
S1-CAP37650R	65.0	370	ROUND	
S1-CAP37700F	70.0	370	FLAT	
S1-CAP37800F	80.0	370	FLAT	
S1-CAP44030F	3.0	440	FLAT	
S1-CAP44040F	4.0	440	FLAT	
S1-CAP44050F	5.0	440	FLAT	
S1-CAP44060F	6.0	440	FLAT	
S1-CAP44075F	7.5	440	FLAT	
S1-CAP44100F	10.0	440	FLAT	
S1-CAP44125F	12.5	440	FLAT	
S1-CAP44150F	15.0	440	FLAT	
S1-CAP44150R	15.0	440	ROUND	
S1-CAP44175F	17.5	440	FLAT	
S1-CAP44200F	20.0	440	FLAT	
S1-CAP44200R	20.0	440	ROUND	
S1-CAP44250F	25.0	440	FLAT	
S1-CAP44250R	25.0	440	ROUND	
S1-CAP44300F	30.0	440	FLAT	
S1-CAP44300R	30.0	440	ROUND	
S1-CAP44350F	35.0	440	FLAT	
S1-CAP44350R	35.0	440	ROUND	
S1-CAP44400F	40.0	440	FLAT	
S1-CAP44400R	40.0	440	ROUND	
S1-CAP44450F	45.0	440	FLAT	
S1-CAP44450R	45.0	440	ROUND	
S1-CAP44500F	50.0	440	FLAT	
S1-CAP44500R	50.0	440	ROUND	
S1-CAP44550F	55.0	440	FLAT	
S1-CAP44600F	60.0	440	FLAT	
S1-CAP44600R	60.0	440	ROUND	
S1-CAP44650R	65.0	440	ROUND	
S1-CAP44700R	70.0	440	ROUND	
S1-CAP44800R	80.0	440	ROUND	

Capacitors

SINGLE RUN CAPACITORS



Features:

- Made in the USA
- Rated for 60,000 hours
- UL Recognized and meets EIA Standard 456-A
- Storage Temperature: -40°C to 90°C
- Operating Temperature: -40°C to 70°C
- Dual Voltage Applications

SOURCE 1 PART NO.	MFD	VOLTS	CAN STYLE	MLP \$
S1-DT-45050HU	5	370/440V	FLAT	
S1-DT-45075HU	7.5	370/440V	FLAT	
S1-DT-45100HU	10	370/440V	FLAT	
S1-DT-45125HU	12.5	370/440V	FLA	
S1-DT-45150HU	15	370/440V	FLAT	
S1-DT-45200HU	20	370/440V	FLAT	
S1-DT-45250HU	25	370/440V	FLAT	
S1-DT-45300HU	30	370/440V	FLAT	
S1-DT-45350HU	35	370/440V	FLAT	
S1-DT-45400HU	40	370/440V	FLAT	
S1-DT-45450HU	45	370/440V	FLAT	
S1-DT-45500HU	50	370/440V	FLAT	
S1-DT-45600HU	60	370/440V	FLAT	
S1-DT-45700HU	70	370/440V	FLAT	
S1-DT-45800HU	80	370/440V	FLAT	

Capacitors

DUAL RUN CAPACITORS



- Rated Frequency: 50/60 Hz
- Capacitance Tolerance -5% - +5%
- Permissible Temperature: -25°C - +75°C
- Withstanding Voltage test
- Between Terminals: Rated Voltage X 1.75VAC, 10sec
- Between Terminals and Case: Rated Voltage X 2+1000VAC, 60sec
- Maximum Permissible Voltage: 110% of the rated voltage
- Maximum Permissible Current: 130% of the rated current
- UL Recognized Components; CSA22.2 No190
- Oil Filled; Non PCB
- Quick Connect Terminal

SOURCE 1 PART NO.	MFD		VOLTS	CAN STYLE	MLP \$
	COMPR	FAN			
S1-CAP3704025DR	25.0	4.0	370	ROUND	
S1-CAP3705015DF	15.0	5.0	370	FLAT	
S1-CAP3705020DF	20.0	5.0	370	FLAT	
S1-CAP3705020DR	20.0	5.0	370	ROUND	
S1-CAP3705025DF	25.0	5.0	370	FLAT	
S1-CAP3705025DR	25.0	5.0	370	ROUND	
S1-CAP3705030DF	30.0	5.0	370	FLAT	
S1-CAP3705035DF	35.0	5.0	370	FLAT	
S1-CAP3705035DR	35.0	5.0	370	ROUND	
S1-CAP3705040DF	40.0	5.0	370	FLAT	
S1-CAP3705045DF	45.0	5.0	370	FLAT	
S1-CAP3705060DR	60.0	5.0	370	ROUND	
S1-CAP3705080DR	80.0	5.0	370	ROUND	
S1-CAP3707530DF	30.0	7.5	370	FLAT	
S1-CAP3707535DF	35.0	7.5	370	FLAT	
S1-CAP3707545DF	45.0	7.5	370	FLAT	
S1-CAP3707545DR	45.0	7.5	370	ROUND	
S1-CAP3707555DF	55.0	7.5	370	FLAT	
S1-CAP3710015DF	15.0	10.0	370	FLAT	
S1-CAP3710025DF	25.0	10.0	370	FLAT	
S1-CAP3715020DF	20.0	15.0	370	FLAT	
S1-CAP4403030DR	30.0	3.0	440	ROUND	
S1-CAP4403035DR	35.0	3.0	440	ROUND	
S1-CAP4403040DR	40.0	3.0	440	ROUND	
S1-CAP4403045DR	45.0	3.0	440	ROUND	
S1-CAP4405025DF	25.0	5.0	440	FLAT	
S1-CAP4405025DR	25.0	5.0	440	ROUND	
S1-CAP4405030DF	30.0	5.0	440	FLAT	
S1-CAP4405030DR	30.0	5.0	440	ROUND	
S1-CAP4405035DF	35.0	5.0	440	FLAT	
S1-CAP4405035DR	35.0	5.0	440	ROUND	
S1-CAP4405040DF	40.0	5.0	440	FLAT	
S1-CAP4405040DR	40.0	5.0	440	ROUND	
S1-CAP4405045DF	45.0	5.0	440	FLAT	
S1-CAP4405045DR	45.0	5.0	440	ROUND	
S1-CAP4405050DR	50.0	5.0	440	ROUND	
S1-CAP4405055DR	55.0	5.0	440	ROUND	
S1-CAP4405060DR	60.0	5.0	440	ROUND	
S1-CAP4407530DR	30.0	7.5	440	ROUND	
S1-CAP4407535DF	35.0	7.5	440	FLAT	
S1-CAP4407535DR	35.0	7.5	440	ROUND	
S1-CAP4407540DF	40.0	7.5	440	FLAT	
S1-CAP4407545DR	45.0	7.5	440	ROUND	
S1-CAP4407550DR	50.0	7.5	440	ROUND	
S1-CAP4407555DR	55.0	7.5	440	ROUND	
S1-CAP4407560DR	60.0	7.5	440	ROUND	
S1-CAP4407580DR	80.0	7.5	440	ROUND	
S1-CAP4410040DR	40.0	10.0	440	ROUND	
S1-CAP4410045DR	45.0	10.0	440	ROUND	
S1-CAP4410055DR	55.0	10.0	440	ROUND	

Capacitors

DUAL RUN CAPACITORS



Features:

- Made in the USA
- Rated for 60,000 hours
- UL Recognized and meets EIA Standard 456-A
- Storage Temperature: -40°C to 90°C
- Operating Temperature: -40°C to 70°C
- Dual Voltage Applications

SOURCE 1 PART NO.	MFD	VOLTS	CAN STYLE	MLP \$
S1-DT-4JR0525U	25 / 5	370/440V	ROUND	
S1-DT-4JR0530U	30 / 5	370/440V	ROUND	
S1-DT-4JR0535U	35 / 5	370/440V	ROUND	
S1-DT-4JR0540U	40 / 5	370/440V	ROUND	
S1-DT-4JR0545U	45 / 5	370/440V	ROUND	
S1-DT-4JR0550U	50 / 5	370/440V	ROUND	
S1-DT-4JR0555U	55 / 5	370/440V	ROUND	
S1-DT-4JR0560U	60 / 5	370/440V	ROUND	
S1-DT-4JR0580U	80 / 5	440V	ROUND	
S1-DT-4JR7530U	30 / 7.5	440V	ROUND	
S1-DT-4JR7535U	35 / 7.5	440V	ROUND	
S1-DT-4JR7540U	40 / 7.5	370/440V	ROUND	
S1-DT-4JR7545U	45 / 7.5	370/440V	ROUND	
S1-DT-4JR7550U	50 / 7.5	440V	ROUND	
S1-DT-4JR7555U	55 / 7.5	440V	ROUND	
S1-DT-4JR7560U	60 / 7.5	440V	ROUND	

START CAPACITORS



Features:

- Molded plastic case
- Designed for 20 starts per hour duty cycle
- 50/60 Hz operation
- 4 x .032 male push on terminals
- 15,000 OHM / 2 watt resistor

SOURCE 1 PART NO.	MFD	VOLTS	CAN STYLE	DIMENSIONS		MLP \$
				D	H	
S1-02425071700	145-175	250	ROUND	2.06	4.38	
S1-02425075700	161-193	250	ROUND	2.06	4.38	
S1-02426023000	297-356	330	ROUND	2.06	4.38	
S1-02425191700	88-108	330	ROUND	2.06	4.38	
S1-02425215700	189-227	330	ROUND	2.06	4.38	
S1-02425390700	270-324	330	ROUND	2.56	4.38	